

# 2516 Quick-Mount® Fixed-Angle Bracket for 8330A and 8340A

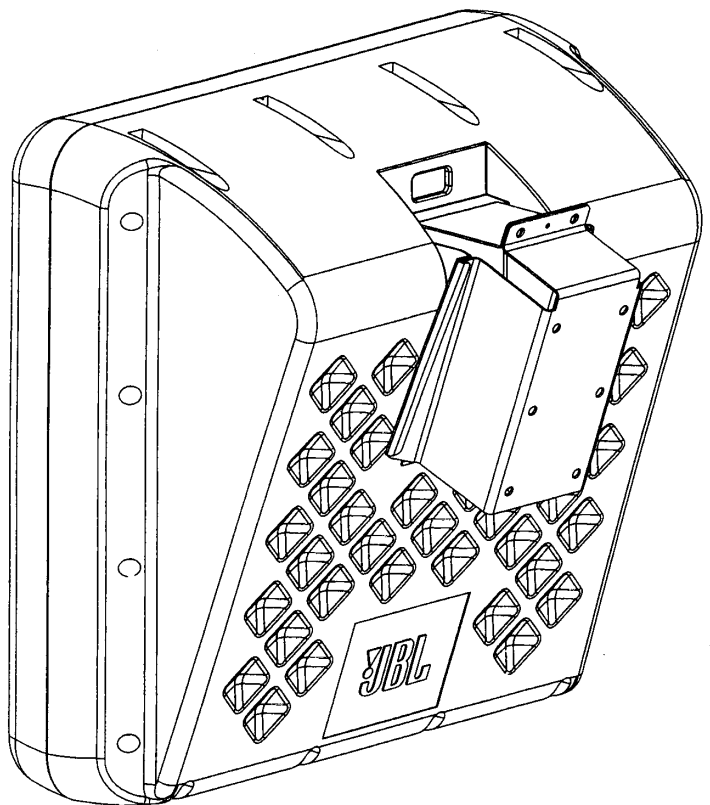
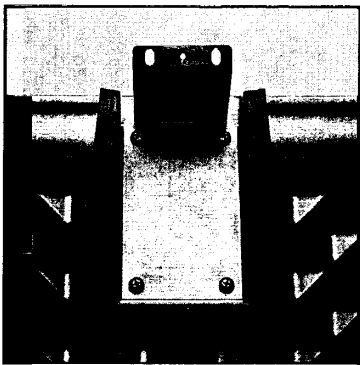
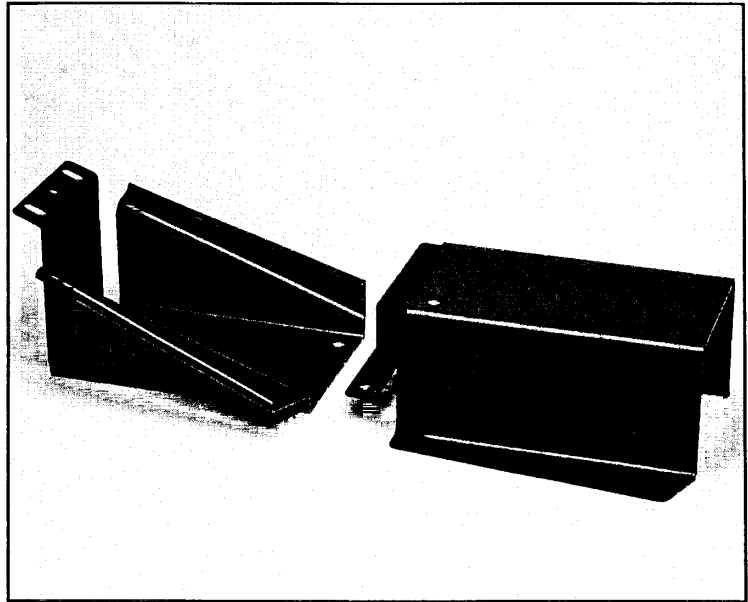
Professional Series

## Key Features:

- ▶ Cost-effective wall-mount bracket
- ▶ Designed for 8330A and 8340A surrounds
- ▶ Packed two brackets to a carton

The 2516 Quick-Mount® Fixed-Angle Bracket is a cost-effective means of safely securing JBL's 8330A or 8340A surround speaker to a wall surface.

To install, simply fasten the square wall-mount half to the wall and the angled speaker mount half to the rear of the speaker. Slide the speaker over the wall-mount half and secure the top flanges together.



JBL continually engages in research related to product improvement. New materials, production methods, and design refinements are introduced into existing products without notice as a routine expression of that philosophy. For this reason, any current JBL product may differ in some respect from its published description, but will always equal or exceed the original design specifications unless otherwise stated.

# ▶ 2516 Quick-Mount® Fixed-Angle Bracket for 8330A and 8340A

---

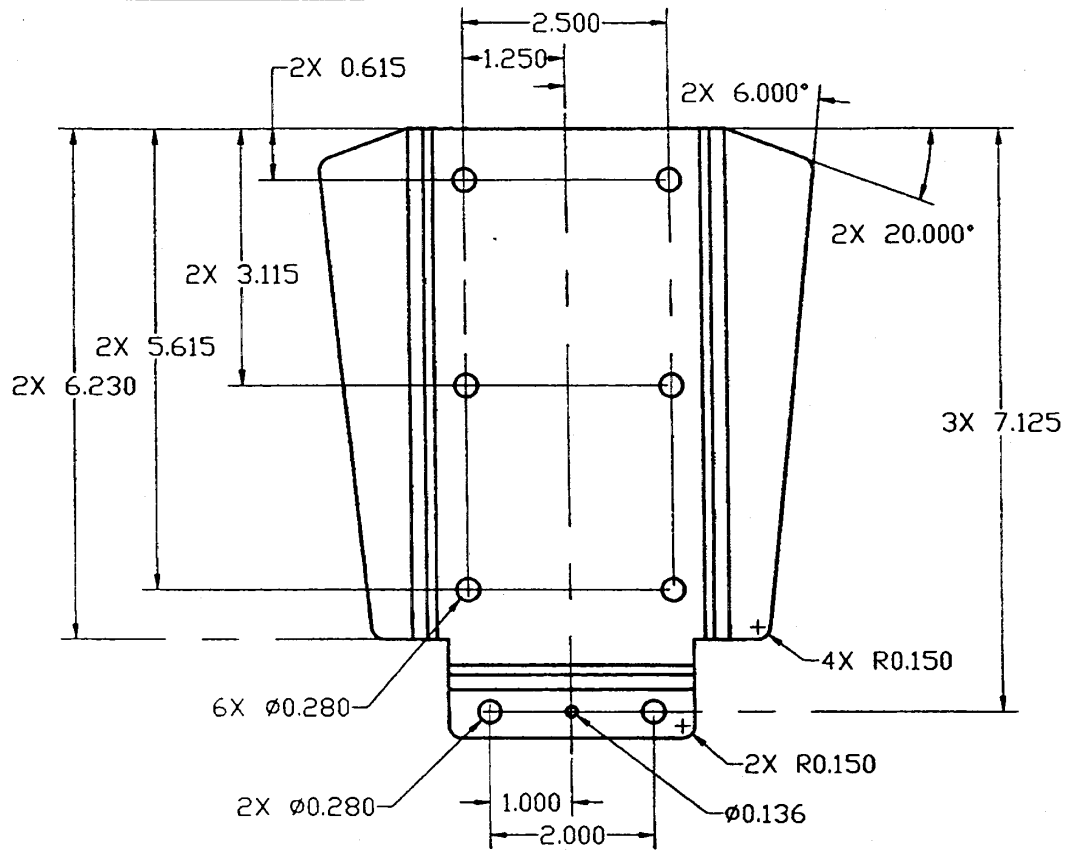


JBL Professional  
8500 Balboa Boulevard, P.O. Box 2200  
Northridge, California 91329 U.S.A.

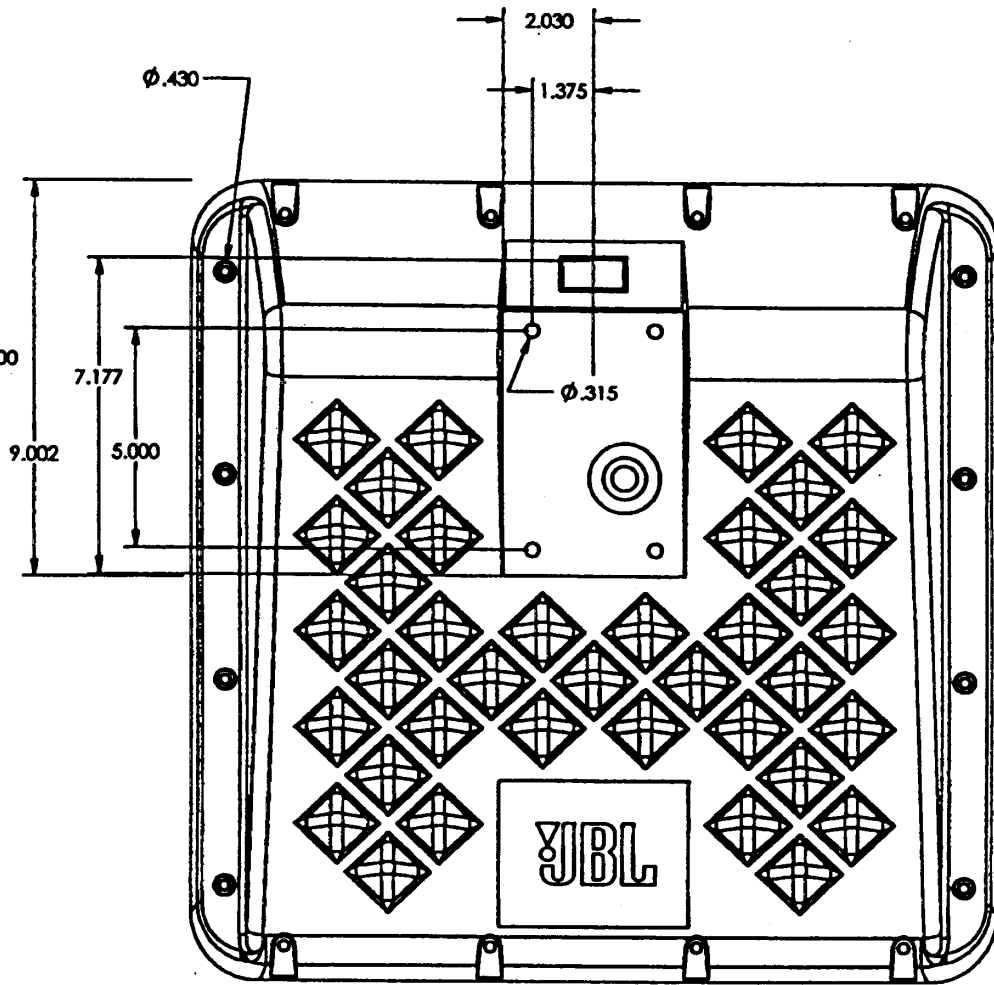
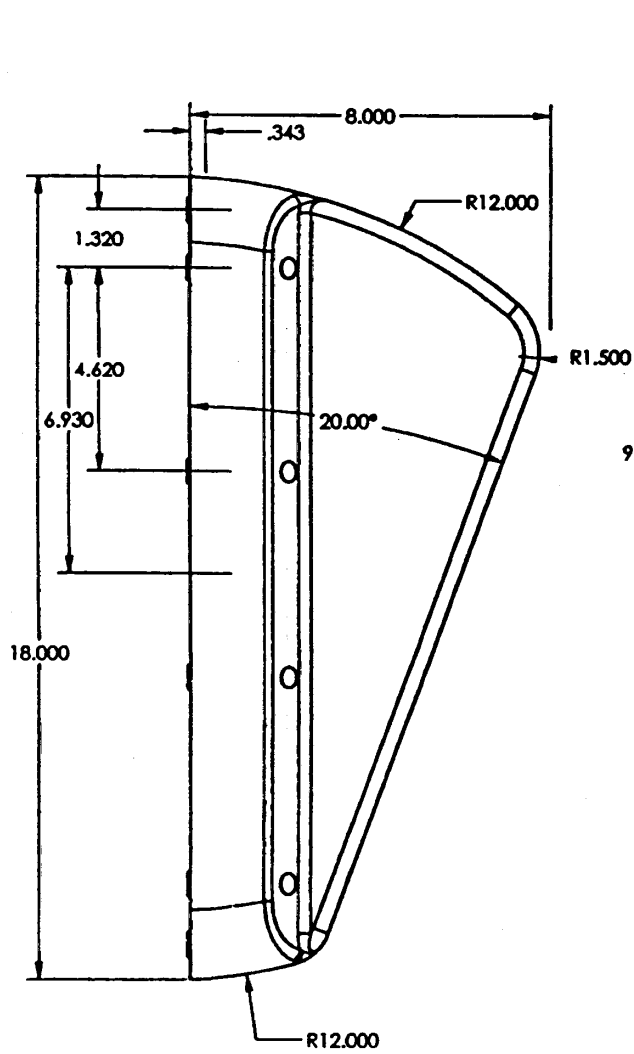
**H** A Harman International Company

SS 2516  
CRP 5M  
7/99

PART NO.	DESCRIPTION
888-00065-00	BRACKET, 8330A/8340A



2516



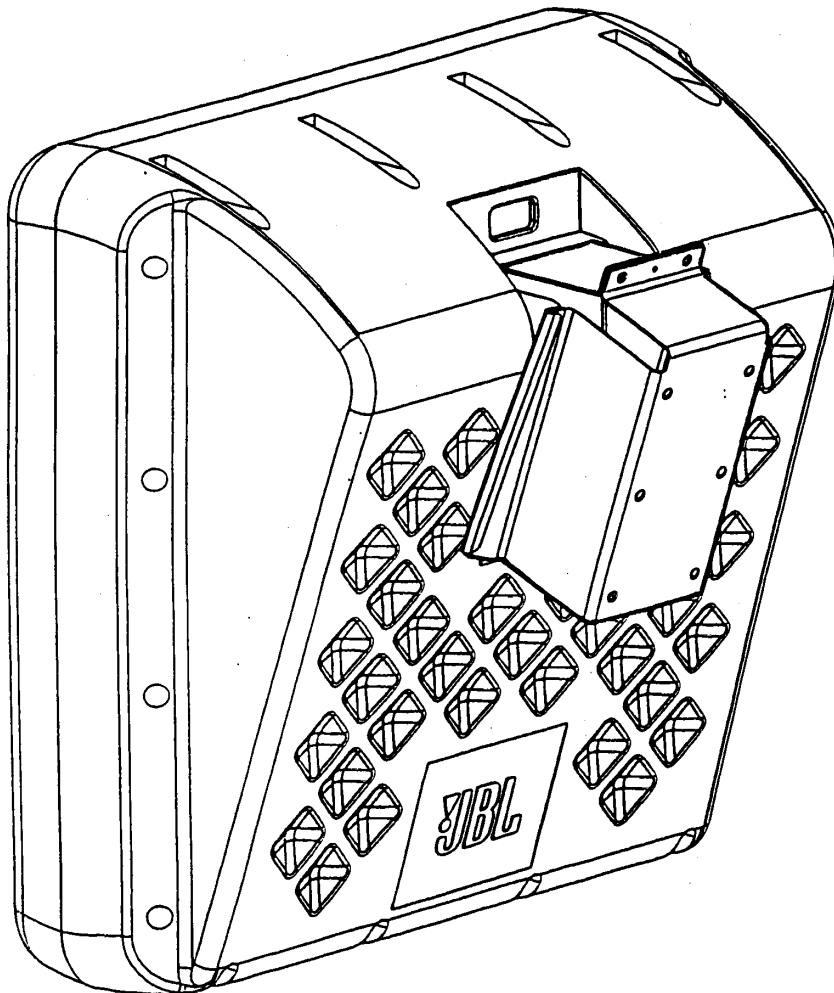
C  
 ↕  
 B  
 ———  
 A

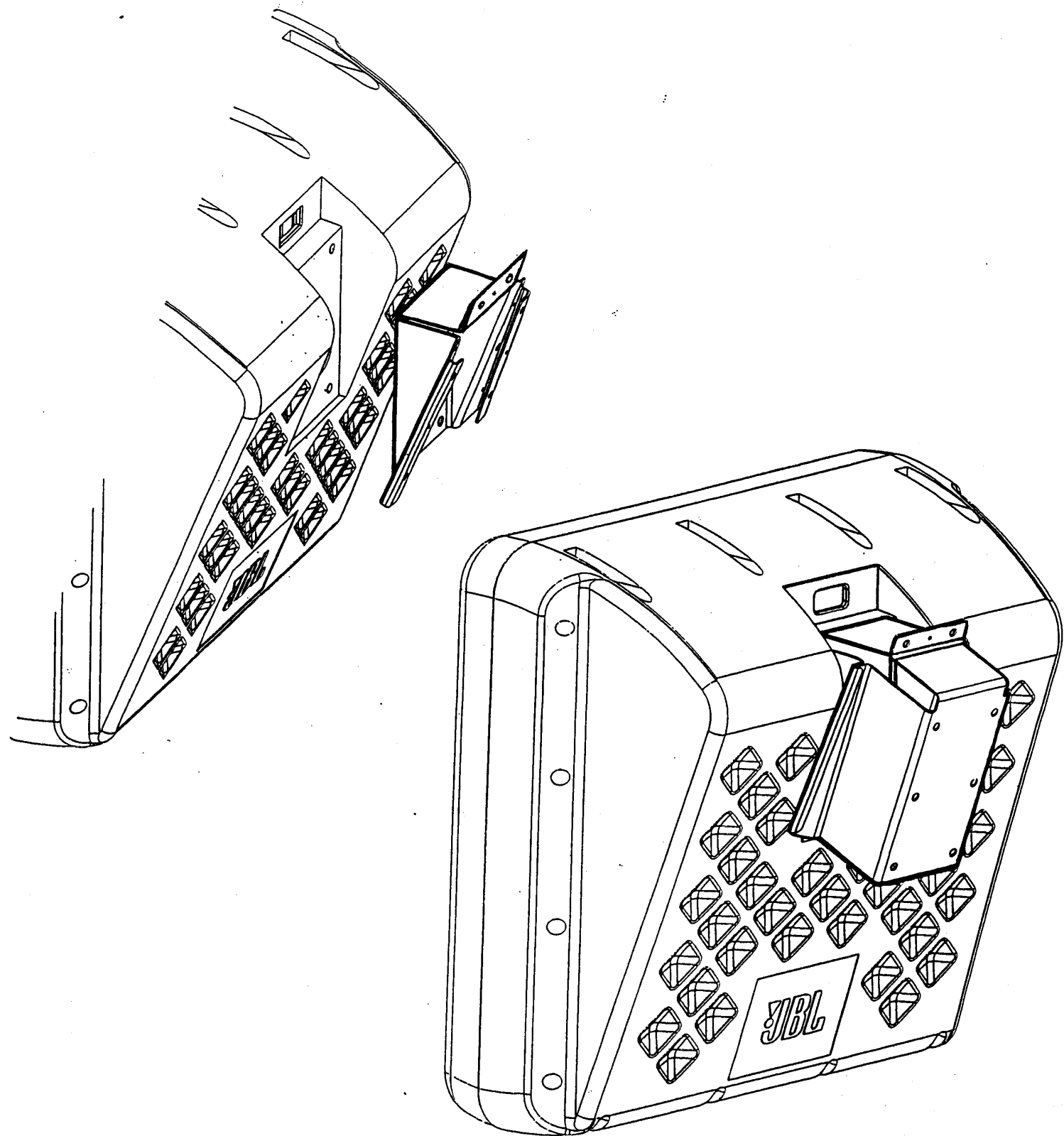


# 2516 Quick-Mount Bracket

The 2516 Quick-Mount Fixed Angle Bracket is a cost effective means of safely and quickly securing either the JBL 8330A or 8340A Surround Speaker to the wall surface. Fasten the square wall mount piece to the wall and the angled speaker mount half to the rear of the speaker. Slide the speaker over the wall mount half and secure the top flanges together .

Packed two brackets to a carton.





**JBL 2516 QUICK-MOUNT FIXED ANGLE BRACKET**

**FOR MOUNTING 8330A and 8340A SURROUNDS**